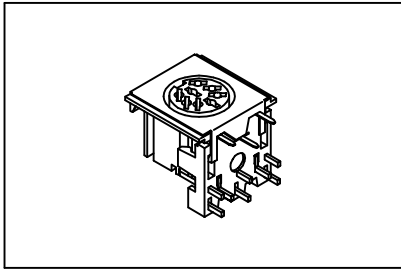


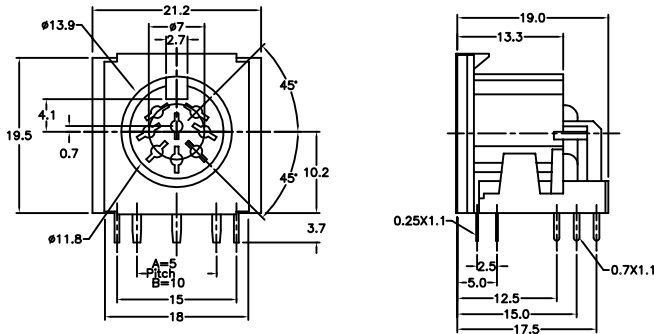
4003 Series

Circular Din Jack Right Angle P.C.B Mount Type



Material:
Housing: 15% Glass filled PBT UL94V-0.
Contacts: Brass, Tin Plated.
Ground: Brass, Nickel Plated.
Shielded: Brass, Nickel Plated.

Electrical Characteristics:
Current Rating: 1 AMP.
Insulator Resistance: 100MΩmin. at DC 500V.
Contact Resistance: 20mΩmax.
Operating Temperature: -55°C~+105°C.
Insertion Force: 0.5~5.0Kg.
Withdrawal Force: 0.4~5.0Kg.
Durability Test: 5000 mating cycles min.



No. of Contact	3P	4P	6P	7P	8P
Position					
Hole Layout (Top View)					
Part No.	4003-3	4003-4	4003-6	4003-7	4003-8

Ordering information

4003- X A
 Series Position 3, 4, 6, 7, 8 A: Foot Print 5.0mm
 B: Foot Print 10.0mm